

Connections (Geared) SXT-CON-GB

Pipe clamps 25 mm, 1.5" (38.1 mm) and 40 mm, ball clamps 28.5 and 32 mm



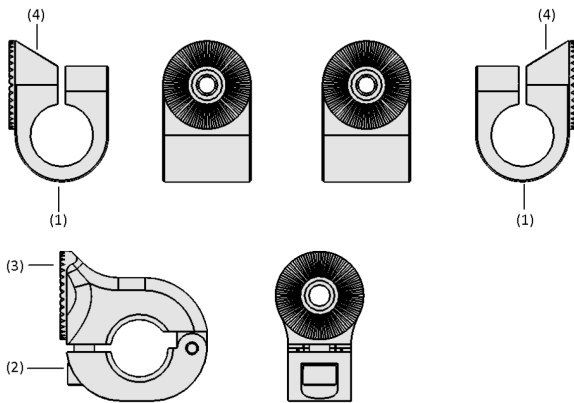
Suitability for industry specific applications

Application

- Modular pipe and ball clamp system with gearing for connecting holders of round pipe tooling for flexibly adjustable lightweight system
- Wide range of uses for numerous applications with a minimum number of different components with gearing
- Suitable for all common tooling and quick-change systems for press shops and car body construction



Connections (Geared) SXT-CON-GB



System design Connections (Geared) SXT-CON-GB

Design

- Pipe clamps 25 mm, 1.5" (38.1 mm) and 40 mm (1), ball clamps 28.5 and 32 mm (2)
- Gearing with 10° pitch (3)
- Safe mounting, as black (F) and gray (M) components are always mounted alternately (4)

Product highlights

- Durable, lightweight pipe clamps with gearings (form-fitting) optimized for highly dynamic processes with maximum output rate
- Lean portfolio enables simple assembly of a wide variety of modules
- Compatible with common tooling systems and flexible to use thanks to angle adjustment with 10° pitch



Connection (geared) SXT-CON-GB when handling a formed sheet metal part

Connections (Geared) SXT-CON-GB

Pipe clamps 25 mm, 1.5" (38.1 mm) and 40 mm, ball clamps 28.5 and 32 mm

Designation code Connections (Geared) SXT-CON-GB

SXT-CON-GB	–	F-D25
1		2

1 – Abbreviated designation

Code	Type
SXT-CON-GB	Connections (toothed)

2 – Connection 1

Code	Diameter
F-D25	ø 25 mm, female
F-D40	ø 40 mm, female
F-1IN	ø 1 inch, female
M-A3	ø 28.5, ball, male
M-A5	ø 32, ball, male
M-D25	ø 25 mm, male
M-D40	ø 40 mm, male
MO-D40	ø 40 mm, male, clampable
MO-1.5IN	ø 1,5 inch, male, clampable

Selection Matrix Mounting Set SXT

Components 1	Components 2	Screw length	Mounting set
SXT-CON-GB-M-A3 / SXT-CON-GB-M-A5	SXT-CON-GB-F-D25	M8x80	10.07.13.00181
	SXT-CON-GB-F-1IN	M8x80	10.07.13.00181
	SXT-CON-GB-F-D40	M8x90	10.07.13.00182
	SXT-EXT- ...	M8x60	10.07.13.00177
	SXT-ANG-GB2-F	M8x55	10.07.13.00176
SXT-CON-GB-M-D25	SXT-CON-GB-F-D25	M8x70	10.07.13.00179
	SXT-CON-GB-F-1IN	M8x70	10.07.13.00179
	SXT-CON-GB-F-D40	M8x80	10.07.13.00181
	SXT-EXT- ...	M8x50	10.07.13.00175
	SXT-ANG-GB2-F	M8x50	10.07.13.00175
SXT-CON-GB-M-D40	SXT-CON-GB-F-D25	M8x80	10.07.13.00181
	SXT-CON-GB-F-1IN	M8x80	10.07.13.00181
	SXT-CON-GB-F-D40	M8x90	10.07.13.00182
	SXT-EXT- ...	M8x60	10.07.13.00177
	SXT-ANG-GB2-F	M8x60	10.07.13.00177
SXT-CON-GB-MO-1,5IN / SXT-CON-GB-MO-D40	SXT-CON-GB-F-D25	M8x90	10.07.13.00182
	SXT-CON-GB-F-1IN	M8x90	10.07.13.00182
	SXT-CON-GB-F-D40	M8x100	10.07.13.00183
	SXT-EXT- ...	M8x70	10.07.13.00179
	SXT-ANG-GB2-F	M8x65	10.07.13.00178
SXT-ANG-GB2-M	SXT-CON-GB-F-D25	M8x45	10.07.13.00174
	SXT-CON-GB-F-1IN	M8x45	10.07.13.00174
	SXT-CON-GB-F-D40	M8x55	10.07.13.00176
	SXT-EXT- ...	M8x30	10.07.13.00173
	SXT-ANG-GB2-F	M8x25	10.07.13.00172

Connections (Geared) SXT-CON-GB

Pipe clamps 25 mm, 1.5" (38.1 mm) and 40 mm, ball clamps 28.5 and 32 mm

The connections (geared) SXT-CON-GB are delivered as individual parts.
The following ordering steps are necessary to obtain a complete assembly:

- M component (grey) of the connections SXT-CON-GB, angle pieces SXT-ANG or extensions SXT-EXT
- F component (black) of the connections SXT-CON-GB, angle pieces SXT-ANG or extensions SXT-EXT
- Mounting set SXT - consisting of screws, washers and springs

Ordering data Connections (Geared) SXT-CON-GB

Type	Part no.
SXT-CON-GB-F-D25	10.07.13.00114
SXT-CON-GB-F-D40	10.07.13.00115
SXT-CON-GB-F-1IN	10.07.13.00191
SXT-CON-GB-M-A3	10.07.13.00118
SXT-CON-GB-M-A5	10.07.13.00119
SXT-CON-GB-M-D25	10.07.13.00112
SXT-CON-GB-M-D40	10.07.13.00113
SXT-CON-GB-MO-D40	10.07.13.00116
SXT-CON-GB-MO-1.5IN	10.07.13.00117
SXT-CON-GB-M-A2	10.07.13.00215

Ordering data Accessories Connections (Geared) SXT-CON-GB

Type	Accessories	Part no.	
SXT-CON-GB-M-D25	Connection (geared)	SXT-CON-GB-F-D25	10.07.13.00114
SXT-CON-GB-M-D40	Connection (geared)	SXT-CON-GB-F-D25	10.07.13.00114
SXT-CON-GB-F-D25	Extension (geared)	SXT-EXT-GB2-50	10.07.13.00034
SXT-CON-GB-F-D40	Extension (geared)	SXT-EXT-GB2-50	10.07.13.00034
SXT-CON-GB-MO-D40	Connection (geared)	SXT-CON-GB-F-D25	10.07.13.00114
SXT-CON-GB-MO-1.5IN	Connection (geared)	SXT-CON-GB-F-D25	10.07.13.00114
SXT-CON-GB-M-A3	Connection (geared)	SXT-CON-GB-F-D25	10.07.13.00114
SXT-CON-GB-M-A5	Connection (geared)	SXT-CON-GB-F-D25	10.07.13.00114
SXT-CON-GB-F-1IN	Extension (geared)	SXT-EXT-GB2-50	10.07.13.00034
SXT-CON-GB-M-A2	Assembly set	SET SCHRAUBE FED-SCHE M8x60	10.07.13.00177

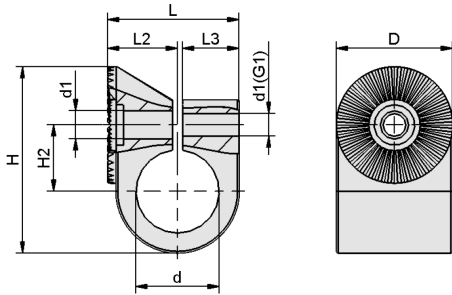
Technical data Connections (Geared) SXT-CON-GB

Type	Weight [g]	Material
SXT-CON-GB-F-D25	100	Aluminum
SXT-CON-GB-F-D40	105	Aluminum
SXT-CON-GB-F-1IN	100	Aluminum
SXT-CON-GB-M-A3	125	Aluminum
SXT-CON-GB-M-A5	170	Aluminum
SXT-CON-GB-M-D25	100	Aluminum
SXT-CON-GB-M-D40	105	Aluminum
SXT-CON-GB-MO-D40	195	Aluminum
SXT-CON-GB-MO-1.5IN	205	Aluminum
SXT-CON-GB-M-A2	65	Aluminum

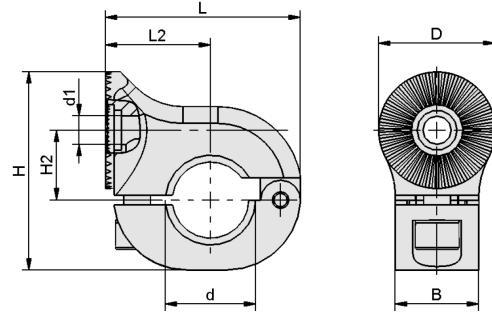
Connections (Geared) SXT-CON-GB

Pipe clamps 25 mm, 1.5" (38.1 mm) and 40 mm, ball clamps 28.5 and 32 mm

Design data Connections (Geared) SXT-CON-GB



SXT-CON-GB D



SXT-CON-GB A / MO

Connections (Geared) SXT-CON-GB

Pipe clamps 25 mm, 1.5" (38.1 mm) and 40 mm, ball clamps 28.5 and 32 mm

Design data Connections (Geared) SXT-CON-GB

Type	B [mm]	D [mm]	d [mm]	d1 [mm]	G1	H [mm]	H2 [mm]	L [mm]	L2 [mm]	L3 [mm]
SXT-CON-GB-F-D25	-	35	25	9	M8-F	56.0	20	39.5	21	17
SXT-CON-GB-F-D40	-	35	40	9	M8-F	66.0	25	49.5	26	22
SXT-CON-GB-F-1IN	-	35	26	9	M8-F	56.0	20	39.5	21	17
SXT-CON-GB-M-A3	25	35	29	9	-	59.5	21	58.5	32	-
SXT-CON-GB-M-A5	25	35	32	9	-	59.5	21	60.5	34	-
SXT-CON-GB-M-D25	-	35	25	9	-	56.0	20	39.5	21	17
SXT-CON-GB-M-D40	-	35	40	9	-	66.0	25	49.5	26	22
SXT-CON-GB-MO-D40	35	35	40	9	-	69.5	26	68.5	37	-
SXT-CON-GB-MO-1.5IN	35	35	39	9	-	69.5	26	68.5	37	-
SXT-CON-GB-M-A2	23	35	19	9	-	46.0	12	46.5	30	15

Multimedia product presentation

Medium

Product video

Link

<https://vimeo.com/408410930>